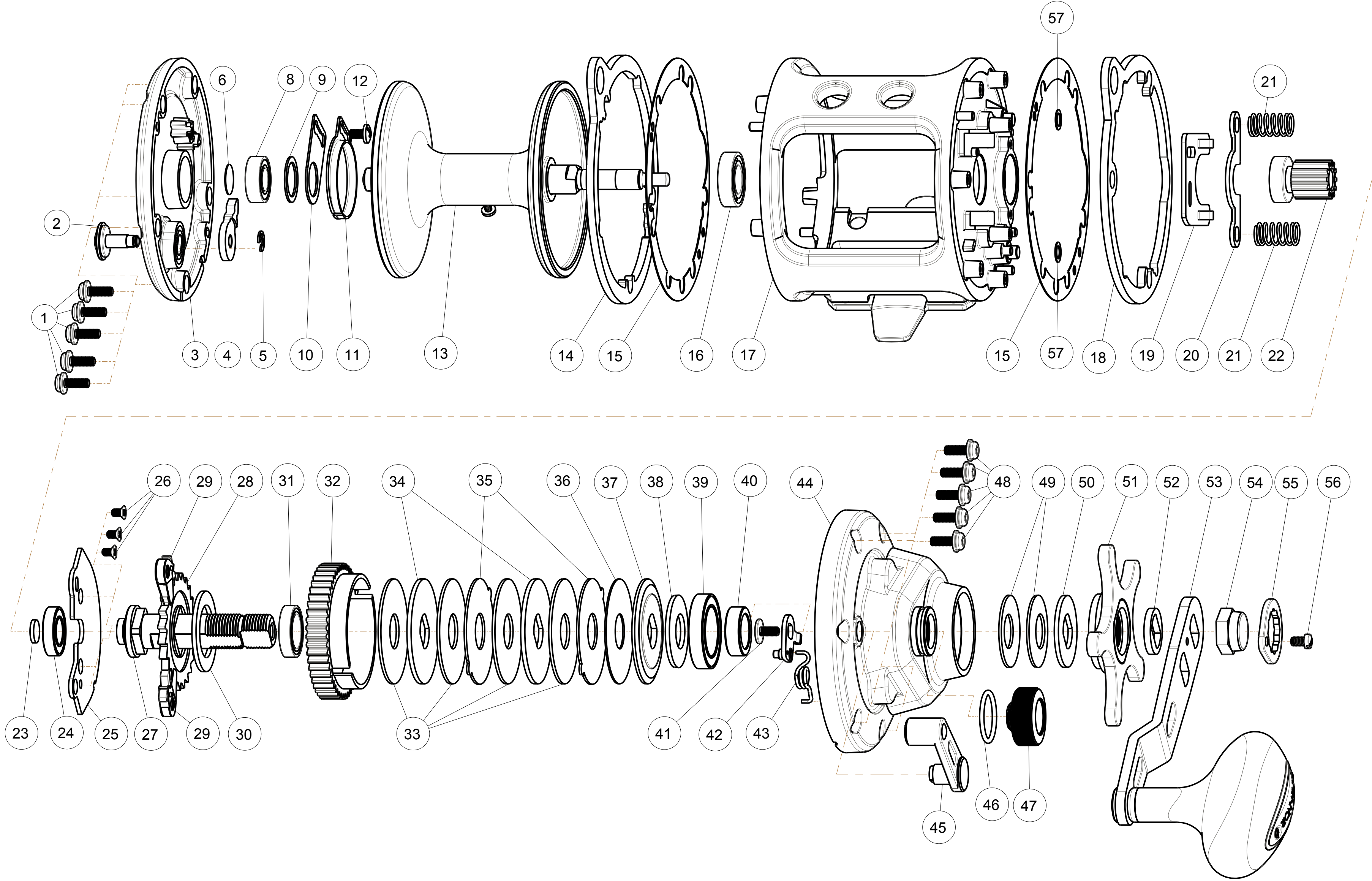


SPORT FISHER STAR DRAG EXPLODE VIEW ST30/ST30WL/ST50/FBT30/FBT50



Key No.	Description	Sports Fisher			Key No.	Description	Sport Fisher		
		ST30	ST30WL	ST50			ST30	ST30WL	ST50
1	Palm Side Cover Screw	DA057-01	↔	↔	32	Drive Gear	DA012-01	↔	EA012-01
2	Spool Click Button	DA109-01	↔	↔	33	Drag Disc "A"	DA059-01	↔	EA059-01
3	Palm Side Cover	DA023-01	↔	EA023-01	34	Drag "D" Washer	DA045-01	↔	EA045-01
4	Spool Click Pawl	DA108-01	↔	↔	35	Drag Key Washer	DA048-01	↔	EA048-01
5	E-Clip	QW120-01	↔	↔	36	Drag Disc "B"	DA059-02	↔	EA059-02
6	Bearing Washer "A"	DA035-01	↔	↔	37	Drag Washer	MF045-01	↔	GA045-01
8	Ball Bearing	UK028-02	↔	↔	38	Belleville Washer	DA046-01	↔	FA046-01
9	Bearing Washer "D"	DA038-01	↔	↔	39	Crank Shaft Ball Bearing	GA058-01	↔	↔
10	Bearing Retainer	RF129-02	↔	↔	40	Crank Shaft Bushing	DA117-01	↔	DA117-02
11	Spool Clicker Spring	RF022-02	↔	↔	41	Screw	DA053-01	↔	↔
12	Spool Click Spring Screw	RF053-01	↔	↔	42	Clutch Cam Assembly	DA384-01	↔	↔
13	Spool Assembly	DA321-01	DA321-51	EA321-01	43	Clutch Spring	DA104-01	↔	↔
14	Harness Lug - Palm Side	DA151-01	↔	EA151-01	44	Gear Side Cover	DA024-01	DA024-03	EA024-01
15	Harness Lug Spacer	FA094-01	↔	GA094-01	45	Clutch Lever	DA009-01	↔	↔
16	Ball Bearing	CF017-02	↔	↔	46	O-Ring	DA101-01	↔	↔
17	Frame Assembly	DA301-01	↔	EA301-01	47	Spool Tension Knob Assembly	DA333-01	↔	↔
18	Harness Lug - Gear Side	FA151-01	↔	GA151-01	48	Gear Side Cover Screw	DA057-01	↔	EA057-01
19	Release Slider	DA039-01	↔	EA039-01	49	Belleville Washer	EA046-01	↔	GA046-01
20	Pinion Yoke	DA025-01	↔	↔	50	"D" Washer	FA035-01	↔	EA035-01
21	Yoke Spring	DA040-01	↔	↔	51	Star Drag Assembly	DA355-01	↔	EA355-01
22	Pinion Gear	DA011-01	↔	EA011-01	52	Spacer	DA094-01	↔	EA094-01
23	Drive Shaft Pad	RF155-01	↔	↔	53	Handle Assembly	DA318-01	↔	EA318-01
24	Ball Bearing	EA117-01	↔	↔	54	Handle Nut	DA003-01	↔	EA003-01
25	Crank Shaft Retainer	DA002-01	↔	EA002-01	55	Handle Nut Retainer	DA034-01	↔	EA034-01
26	Crank Shaft Retainer Screw	RF107-01	↔	↔	56	Handle Nut Screw	DA065-01	↔	↔
27	Crank Shaft	DA008-01	↔	EA008-01	57	Washer	EA032-01	↔	↔
28	Anti Reverse Ratchet	DA091-01	↔	EA091-01	Additional service Kit				
29	Anti Reverse Pawl Assembly	DA363-01	↔	↔		Wrench & Driver	DA113-01	↔	↔
30	Ratchet Washer	DA111-01	↔	EA111-01		Torx Wrench - T15	EA113-01	↔	↔
31	Crank Shaft Ball Bearing	DA058-01	↔	EA058-01		Rod Clamp Assy	RF3154-01	↔	↔

- b Remove No. 7
- c Key No. 4 & 11 part No. change
- d Key No. 11 part No. change

1/28/2010
3/29/2010
5/7/2010